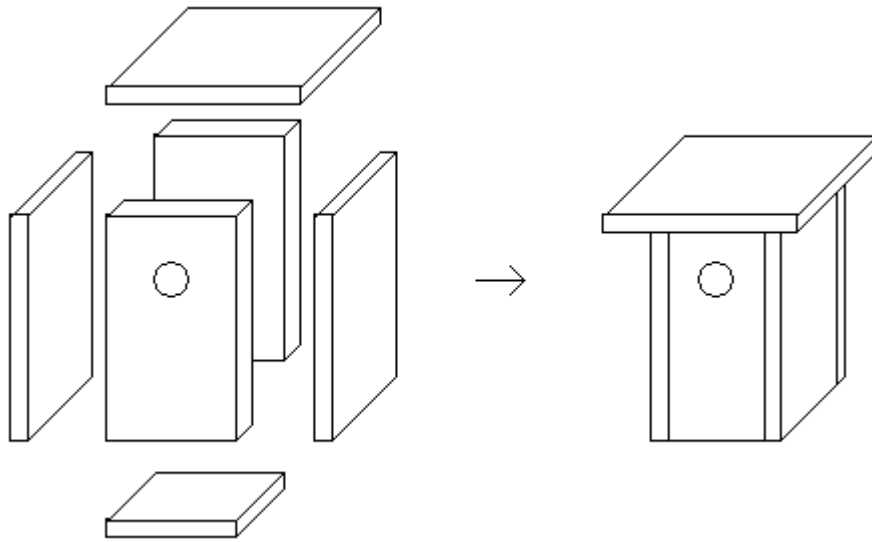


<b>Wild Bird Species</b>	<b>Floor Size</b>	<b>Box Height</b>	<b>Entrance Above Floor</b>	<b>Entrance Hole</b>	<b>Height Above Ground</b>
<b>Bluebirds</b>	5" x 5"	8-12"	8-10"	1 1/2 to 1 9/16"	4-6' meadows, fence lines, or forest edge
<b>Chickadees</b>	4" x 4"	8-10"	6-8"	1 to 1 1/8"	8-15' forest edge or in forested habitat
<b>Nuthatches</b>	4" x 4"	8-10"	6-8"	1 1/4 to 1 3/8"	5-15' upland habitats
<b>Wrens</b>	4" x 4"	6-8"	5"-6"	1 to 1 1/2"	5-10' hedges or forest edges
<b>Violet-Green Swallows</b>	5" x 5"	6-8"	5"-6"	1 1/4 to 1 1/2"	5-15' near riparian habitats
<b>Tree Swallows</b>	5" x 5"	6-8"	4-6"	1 1/4 to 1 1/2"	5-15' meadows, forest edges, yards
<b>Northern Flicker</b>	7" x 7"	16-18"	14-16"	2 1/2"	6-20' wherever flickers occur
<b>Barn Swallows*</b>	6" x 6" Platform	----	---	----	8-12' under peak of roof, eaves or rafters
<b>Purple Martins</b>	6" x 6"	6"	1-2" only over salt water on coast	1 3/4" - 2 1/4"	10-15'
<b>Wood Ducks</b>	10" x 18"	10-24"	12-16"	4"	10-20' in riparian habitat
<b>Screech Owls and Kestrels</b>	At least 8" x 8"	12-15"	9-12"	3"	10-30' forest edges
<b>Osprey</b>	48" x 48" Platform	----	----	----	Near or over water



The back is nailed to the two sides. The roof is nailed on top of the back and the two sides. The sides are nailed to the floor. The door is nailed to the two sides so it pivots from the top, and is held in place at the bottom by a latch nail.

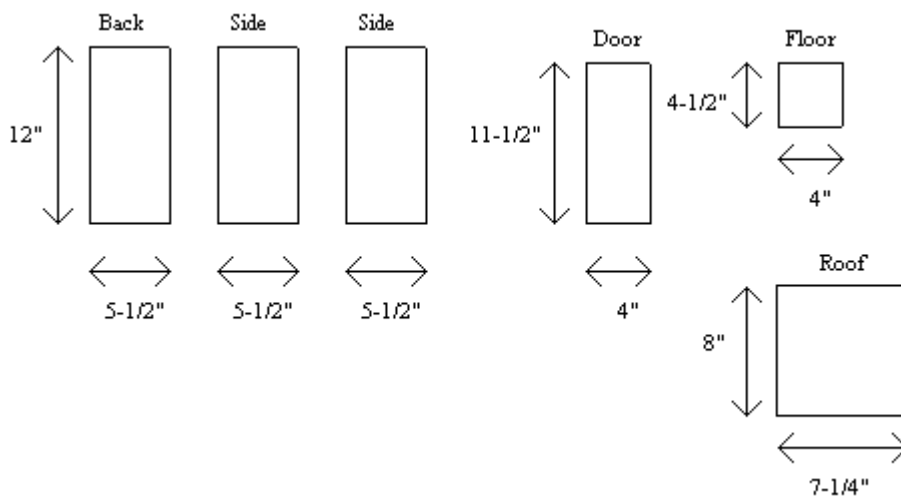
What you need to do before the meeting is buy the wood, cut it to the proper sizes, and drill the entry and nail holes. You will create for each kid a kit that includes the six wooden pieces that make up the

house, a set of nails, a wire loop for hanging, and a paintbrush. You should request that the kids each bring a hammer with them to the meeting, but have a few extra hammers on hand for those who inevitably forget.

It is not a bad idea to cut the pieces for one birdhouse and assemble it *prior* to creating an assembly line to create 10 or 20 kits. That way you can work out any kinks before you cut all of your wood.

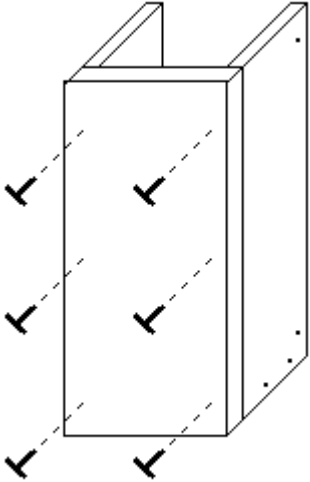
If you want to provide the kids with additional information on bluebirds, the following links are useful:

Each kit consists of a roof, a floor, a front door, a back and two sides. The two sides and the back are 12-inch long pieces of 1 x 6. The roof is an 8-inch long piece of 1 x 8. The door is an 11.5 inch piece of 1 x 6 ripped down to 4 inches wide. The floor is a 4.5-inch piece of 1 x 6 also ripped down to 4 inches wide. The exact dimensions of the six pieces are shown below:



## Step 1: Attach the sides to the back

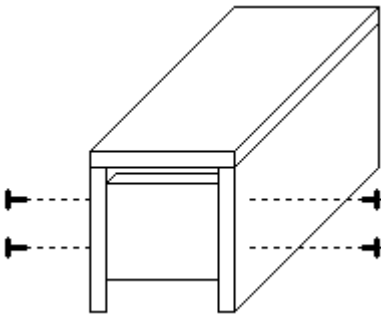
Nail the back to the two sides as shown below:



Note that the sides should be placed so the pre-drilled holes are facing in the directions shown. It may be easier to get the back and sides nailed together if you ask a friend or one of your parents for help, or if you hot glue the pieces together before nailing.

## Step 2: Attach the floor

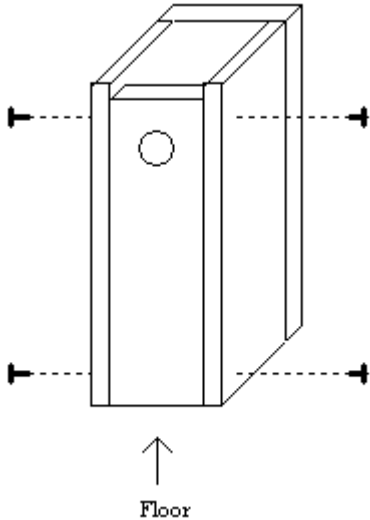
Attach the floor as shown below:



There should be a  $\frac{3}{8}$ " gap between the edge of the floor and the back of the birdhouse. This gap will provide ventilation. The floor should be flush with the bottom of the house.

### Step 3: Attach the door

The door swings out from the bottom, pivoting at the top, and uses latch nails to hold it in place. The nails at the top of the door act as the hinge. Attach the door as shown below:

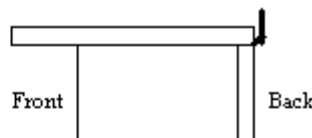
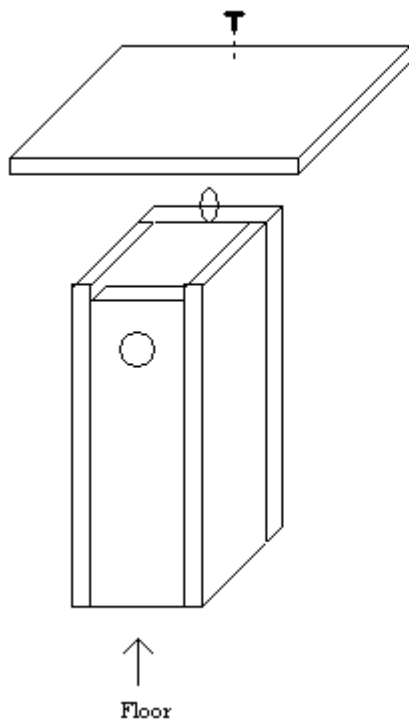


The door should be even with the bottom of the house, flush with the front of the house, and there should be a gap at the top of about 1/2". Insert one of the latch nails at the bottom with your fingers. **DO NOT** hammer the latch nail in. You want it to be loose so that you can remove it to clean the house. It should slide in smoothly and help hold the door in place. Now nail in the top two nails. Nail them almost tight, but leave a tiny amount of slack so that the hinge will have some freedom.

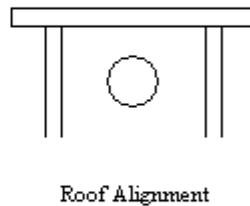
Remove the latch nail. The door should swing out smoothly on the hinge nails.

### Step 4: Attach the roof

In the process of attaching the roof, you will also attach the wire loop so that you can hang up the bird house when you are done. Attach the wire loop as shown below:



Place the wire loop so that it is centered on top of the back wall. Then align the roof as shown and nail it in place with five nails total.



You have finished your bird house! Paint the outside of it an appropriate color (leave the inside natural) and hang it on the trunk of a tree